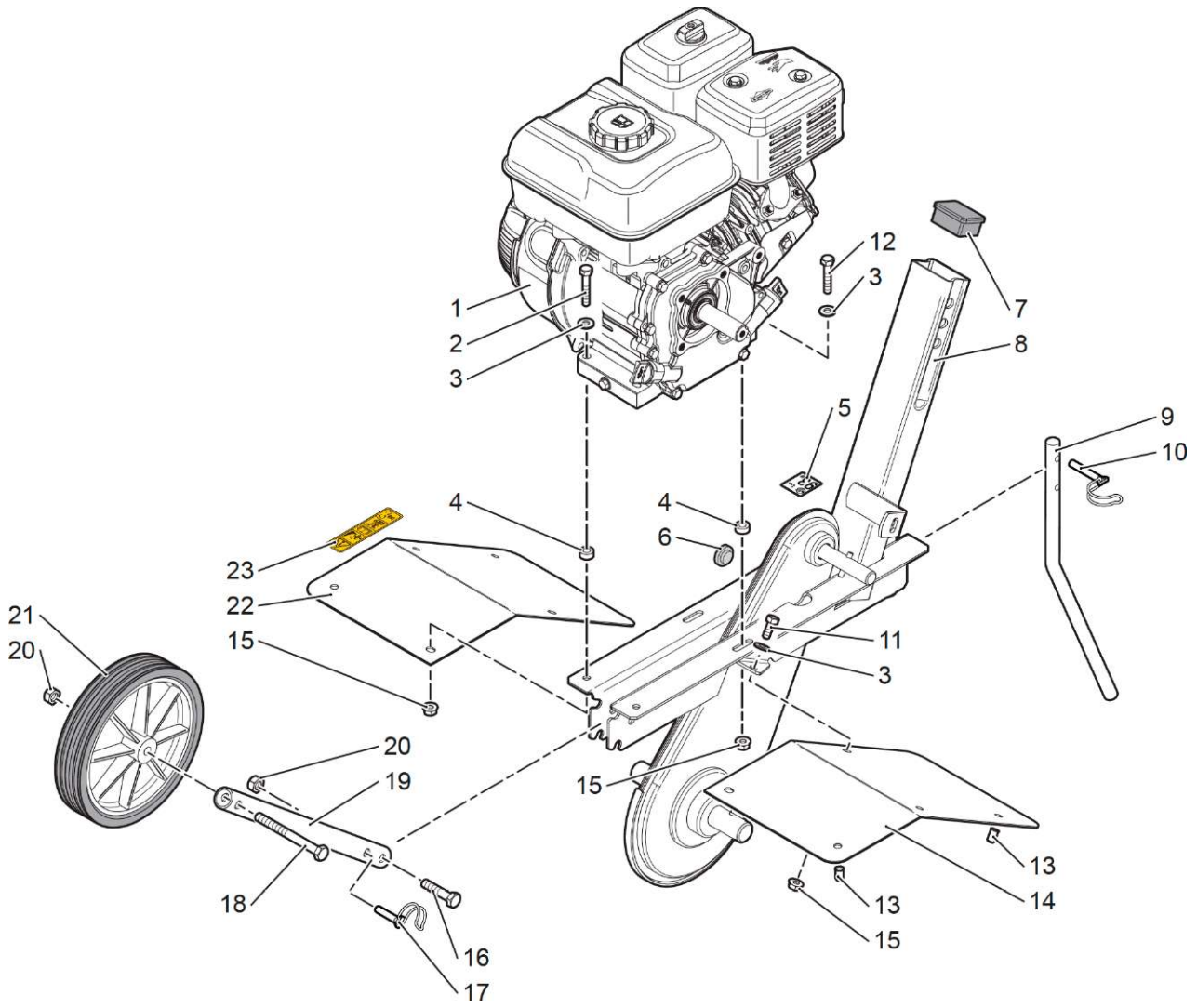


Spare Parts Liste

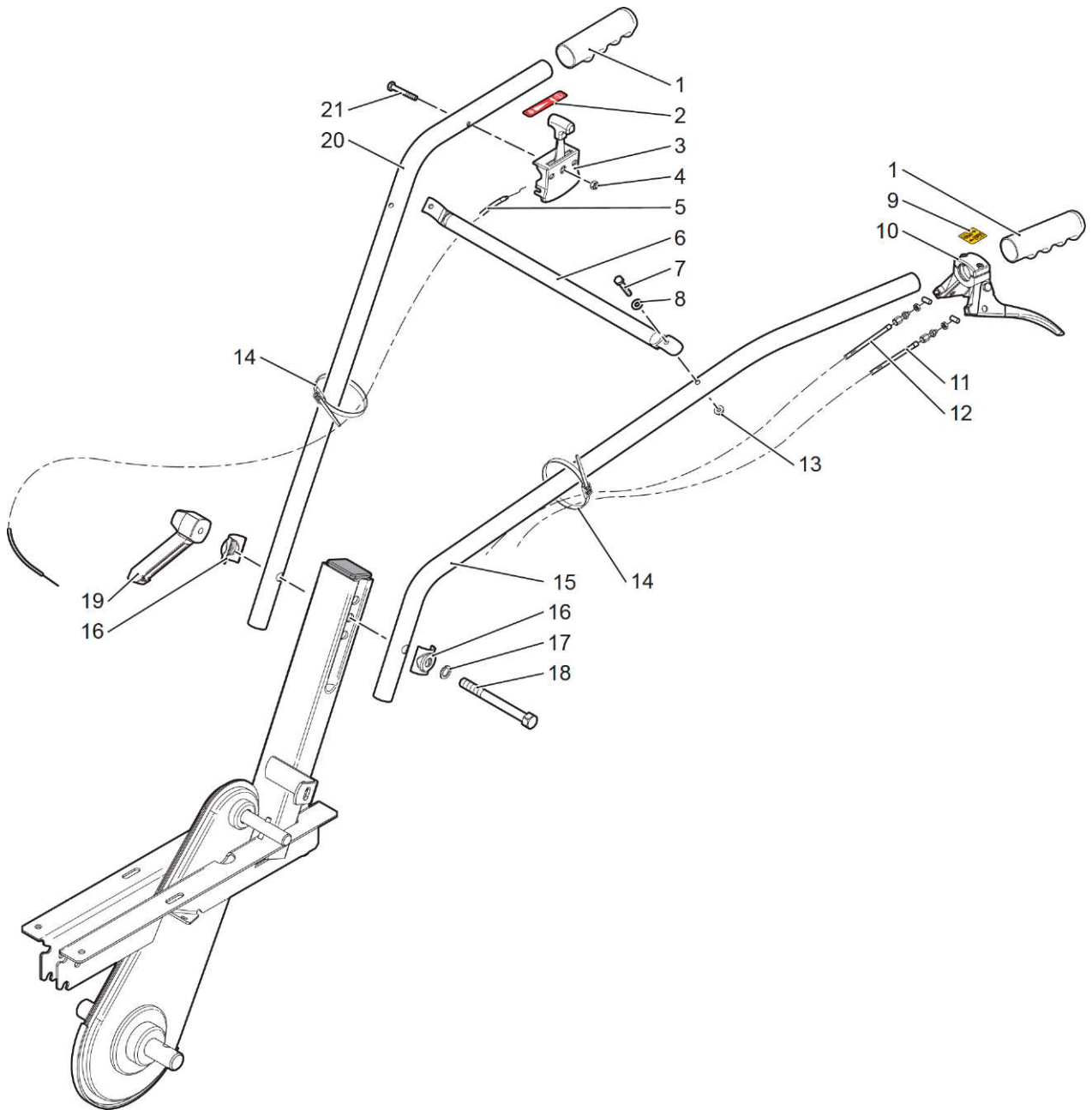
Mega 27 B



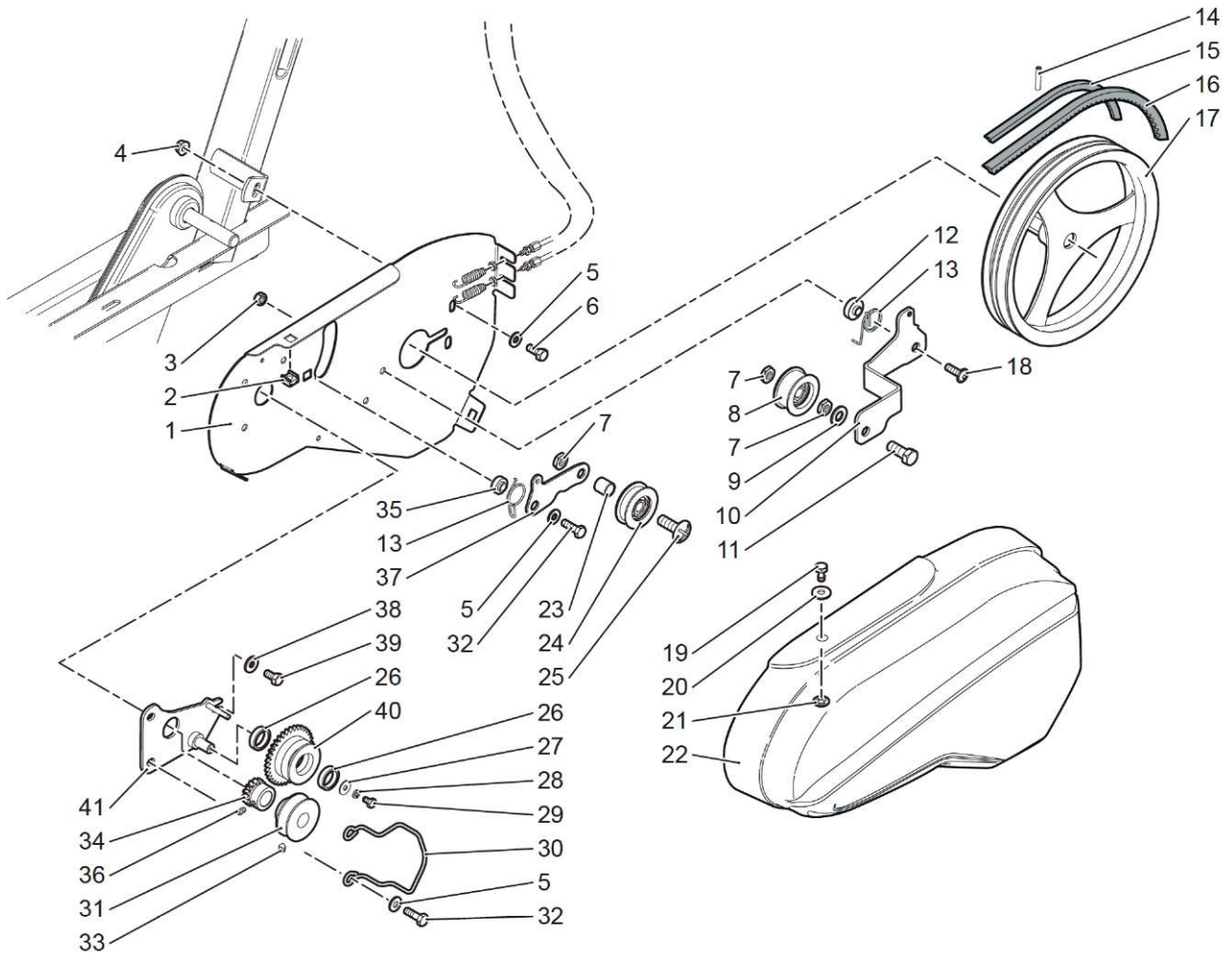
A : Basic unit, engine

Mega 27 B

REP.	REFERENCE	DESIGNATION	QTE
1	FSMOT4F	ENGINE BSS SERIES 550	1
2	QSTH08045EZ8	SCREW M8X45	2
3	QSMU08Z	WASHER M8	6
4	F P403160	SPACER	4
5	209890	LABEL 93 DB	1
6	FS BOU16231	PLUG	1
7	FSEMB5040	CAP	1
8	547361	FRAME	1
9	200691	DEPTH ROD	1
10	G00738	FOLDING RETAINER FM 07X38	1
11	QSTH08020EZ8	SCREW M8X20	2
12	QSTH08040EZ8	SCREW M8X40	2
13	813010	INSE RT M6x1.00 LgI5.3	6
14	547421	LEFT PROTECTIVE COVER	1
15	QSHE08Z	LOCK NUTHM8	6
16	QSTH10045EZ8	SCREW MI 0X45	1
17	G01034	FOLDING RETAINER FM 10X34	1
18	QSTH10100PZ8	SCREW HM10X100/26	1
19	547451	RETAINER	1
20	QSHF10Z	LOCK NUTHM10	2
21	FSROU206	WHEEL	1
22	547431	RIGHT PROTECTIVE COVER	1
23	407130	LABEL	1

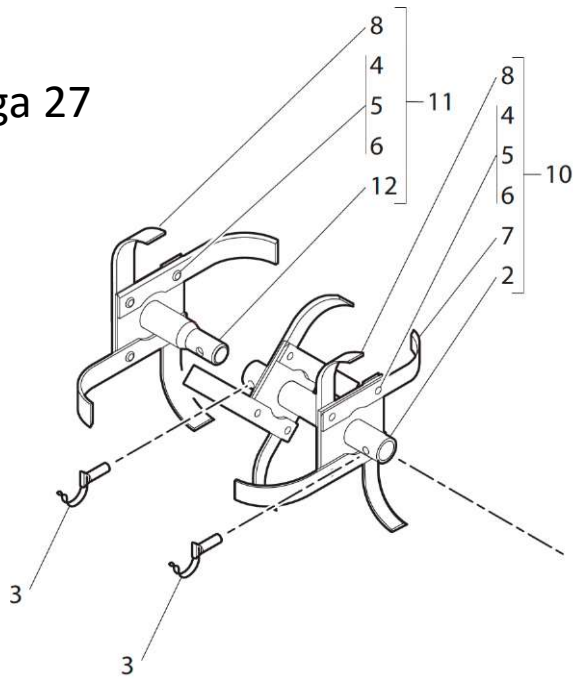


REP.	REFERENCE	DESIGNATION	QTE
1	FSPOI02	GRIP	2
2	FDET400450	LABEL	1
3	FS MANET03	THROTTLE	1
4	QSHF06Z	LOCK NUT M6	1
5	406100	CABLE	1
6	404457	HANDLE BEAM	1
7	QSTH06035PZ8	SCREW HM6X35/18	2
8	QSMU06Z	WASHER M6	2
9	F E DT400460	LABEL	1
10	FSLEV44	LEVER	1
11	547580	FORWARD CABLE	1
12	546930	REVERSE CABLE	1
13	QSHE06Z	NUTH M8	2
14	FS CO LI 40	CABLE CLIP	2
15	546211	LEFT HANDLE	1
16	541341	HANDLE WASHER	2
17	QSMW12Z	WASHER MI 2	1
18	QSTH12120PZ8	SCREW HM12X120/30	1
19	FS MANET09	FIXING DEVICE	1
20	546201	RIGHT HANDLE	1
21	QS TH06040PZ8	SCREW HM6X40/18	1

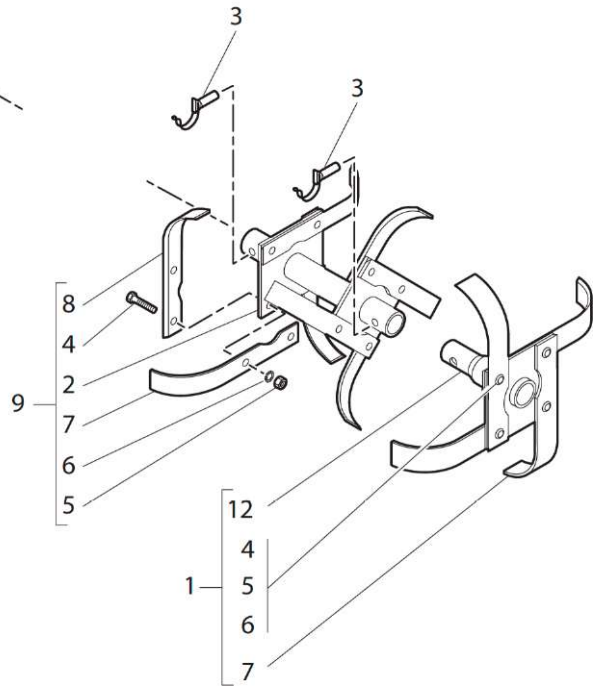


REP.	REFERENCE	DESIGNATION	QTE
1	543521	PLATE	1
2	QSHCR08	NUTM8	4
3	QSHS08Z8	LOCKNUT HM8 NF25410	1
4	QSHE08Z	NUTHM8	1
5	QSMU08Z	WASHER M8	
6	QSTH08020EZ8	SCREW H M8X20	1
7	QSHM12Z	NUTHm MI2	
8	FP402050	H20 ROLLER	1
9	QSMZ12Z	WASHER Z12	1
10	209111	FORWARD LEVER	1
11	QSTH12030EZ8	SCREW H MI 2X30	1
12	FP40051 1	SPACER	1
13	FP400220	SPRING	
14	QSGM0630	PIN 6X30 E	1
15	FSCOUZ36	BELTZ36	1
16	FS C011A40X	BELT AX40	1
17	FP406080	PULLEY	1
18	QS BHC08025ZN	SCREWBHC M8X25	1
19	546160	COVER SCREW M8	3
20	QSML08Z	WASHER L8	3
21	QS M8STARLOCK	COVER WASHER	3
22	543800	COVER	1
23	404521	SPACER LEVER	1
24	FP408020	PLASTIC ROLLER D44X17	1
25	QSTL1235	SCREWRL12X35	1
26	FS B E A6001ZZ	BEARING 6001ZZ	
27	QSML06Z	WASHER L6	1
28	QSMW06Z	WASHER GROWER W6	1
29	QSTH06010EZ8	SCREW H M6X10	1
30	407750	V-BELT STOPPER	1
31	FP400431	PULLEY	1
32	QS UNF5/16X1	SCREW H 5/16X1 24UNF	
33	QSST08010BU	SCREW HC M8X10 POINTED	1
34	FP403780	GEARS	1
35	F P400521	SPACER	1
36	QS ST06010B P	SCREW ST HC 6X10 BOILS FLAT	1
37	543531	LEVER	1
38	F P400381	WASHER 20X8.2X2.4	1
39	QSTH08016EZ8	SCREW H M8X16	1
40	403790	PULLEY	1
41	407761	REVEBSE PLATE	1

Mega 27
B



D : Hoes
assy.



Mega 27 B

D : Hoes assy.

POS.	REFERENCE	DESCRIPTION	Q'TE
1	528821	ADDITIONAL HOE ASSY. LEFT	1
2	528790	HUB DE PARTURE	2
3	G01034	FOLDING RETAINER FM 10X34	4
4	QSTH08025EZ8	SCREW H M8x25	24
5	QSHU08Z	NUT H M8	24
6	QSMA08Z	WASHER M8	24
7	3TS115DN	STANDARD KNIFE RIGHT	12
8	3TS115GN	STANDARD KNIFE LEFT	12
9	528781	STAR LEFT DEPARTURE	1
10	528771	STAR RIGHT DE PARTURE	1
11	528881	ADDITIONAL HOE ASSY. RIGHT	1
12	526831	ASSY. MONOBLOC	2